



Illustrated Parts List

Model Series

386400

TYPE NUMBERS
0065 through 0176.

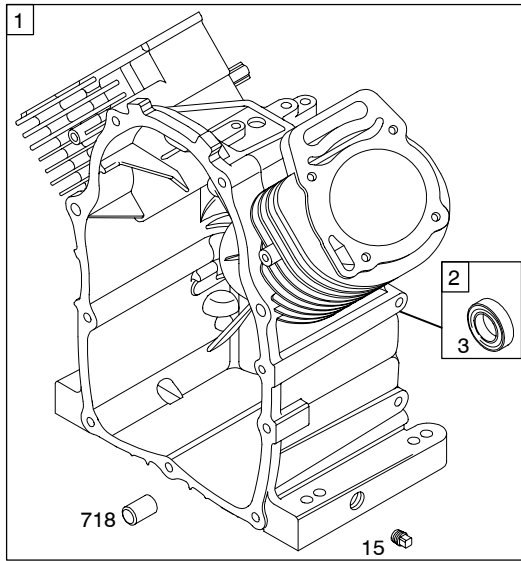
TABLE OF CONTENTS

Air Cleaners	6
Alternator	11
Blower Housing and Shrouds	9
Camshaft	2
Carburetor	6
Controls	8
Crankcase Cover	4
Crankshaft	2
Cylinder	2
Cylinder Head	3
Electric Starter	9
Exhaust System	7
Flywheel	10
Gasket Set - Engine	2
Gasket Set - Valve	3
Governor Spring	8
Ignition	11
Intake Manifolds	4
Kit - Carburetor Overhaul	6
Lubrication	5
Piston, Rings, Connecting Rod	2
Rewind Starter	9
Valves	3

PRINTED IN U.S.A.



COPYRIGHT by BRIGGS & STRATTON CORPORATION
All rights reserved. No part of this material may be reproduced or transmitted, in any form or by any means, electronic or mechanical, including photocopying, recording or by any information storage and retrieval system, without permission in writing from Briggs & Stratton Corporation.



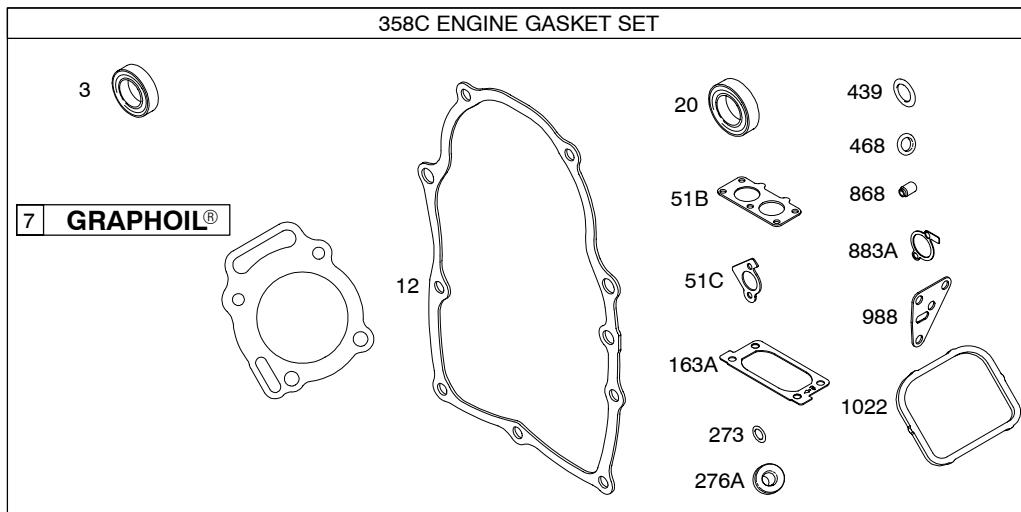
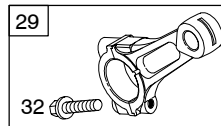
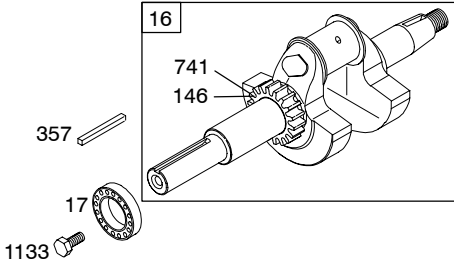
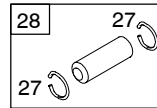
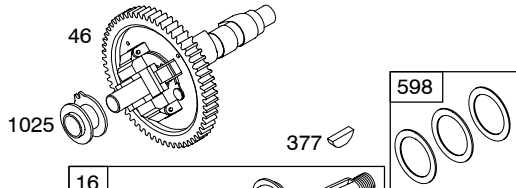
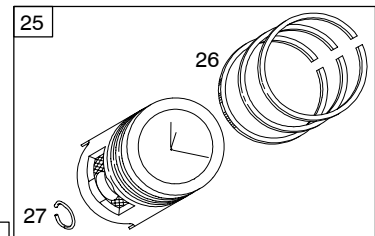
1019 LABEL KIT

1058 OPERATOR'S MANUAL

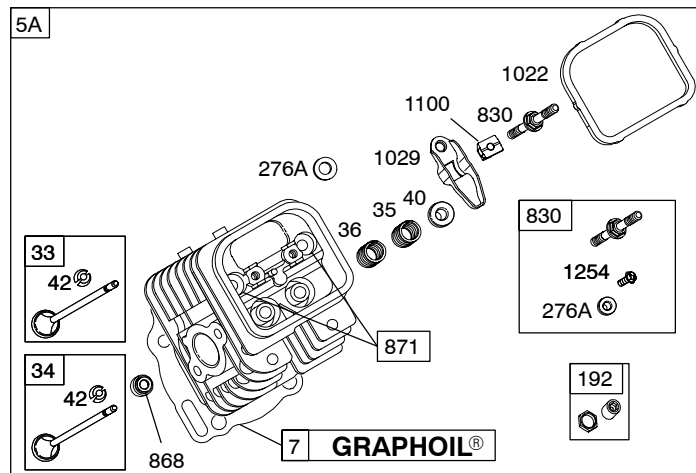
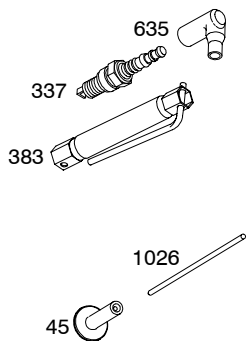
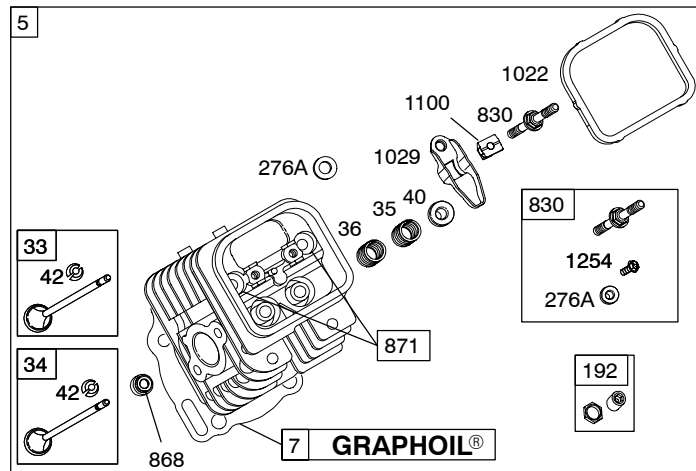
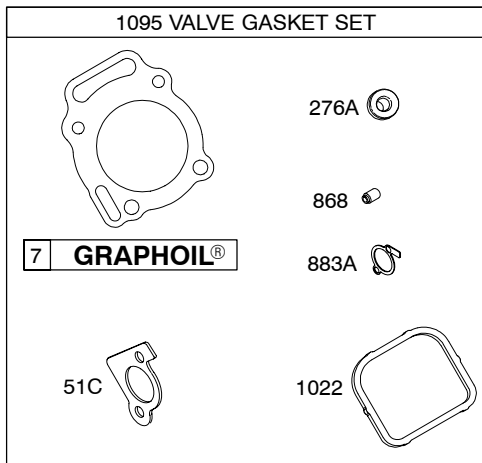
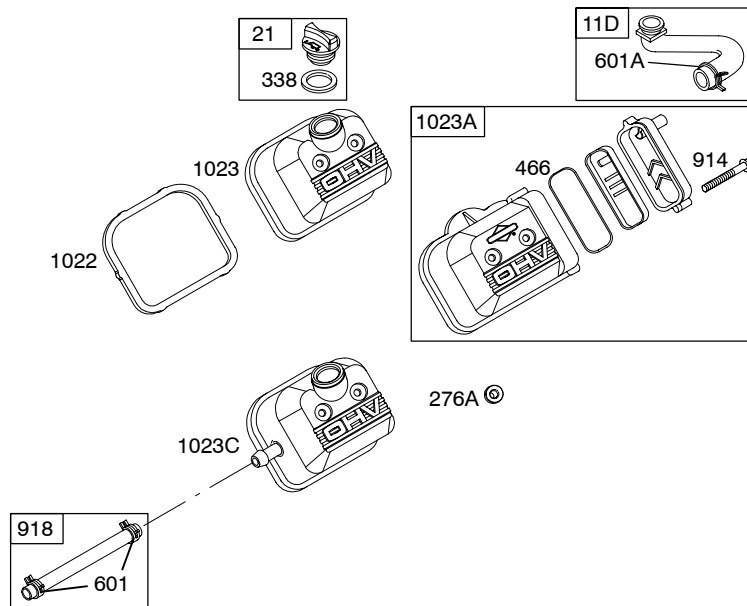
1330 REPAIR MANUAL

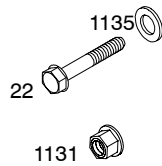
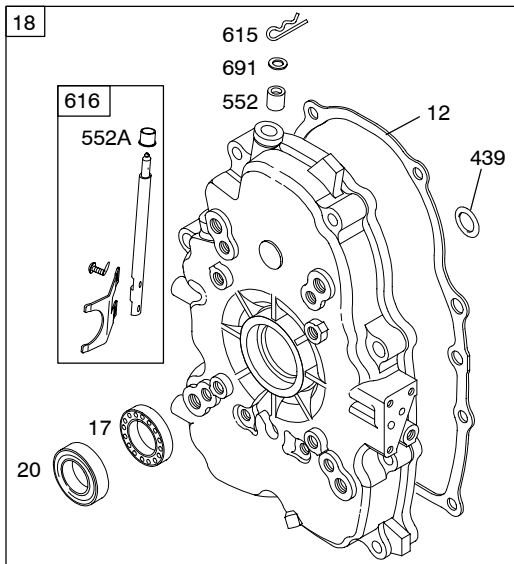
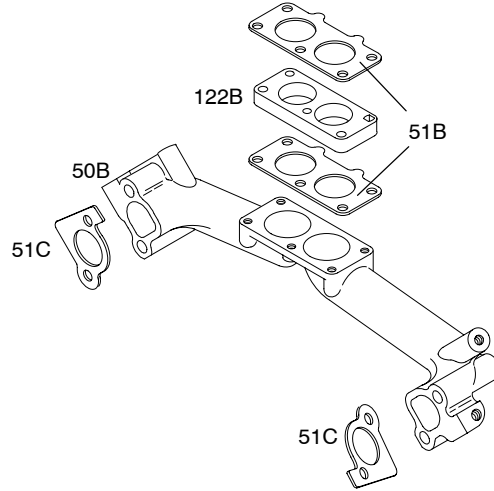
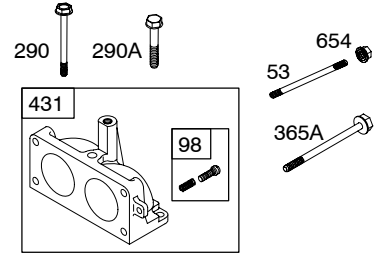


15

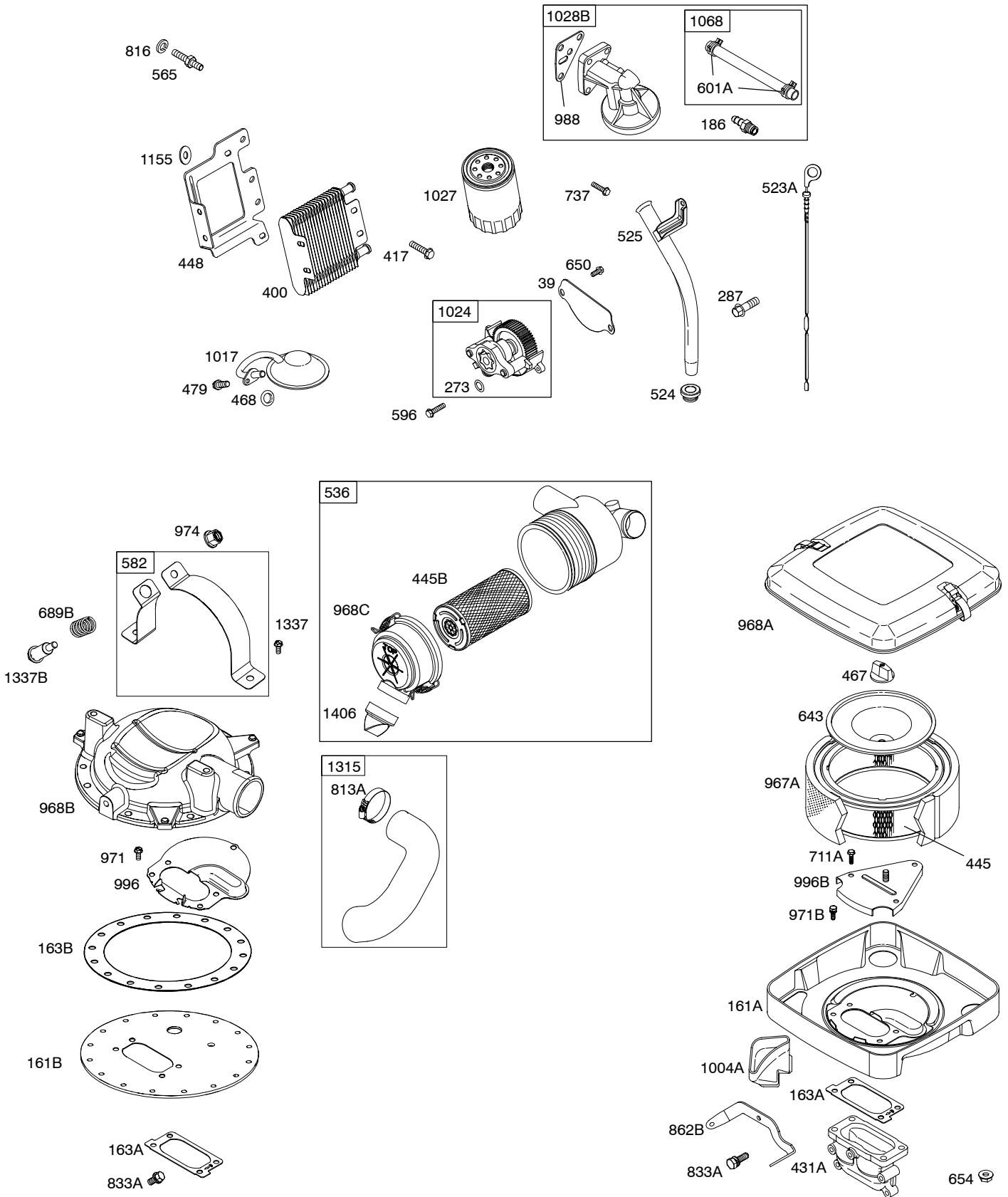


Illustrations cover a range of engines. Parts shown without corresponding text may not be used on your specific engine.
 3280-2 Assemblies include all parts shown in frames. 07/20/2006



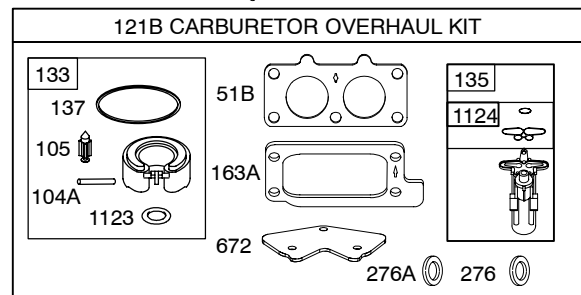
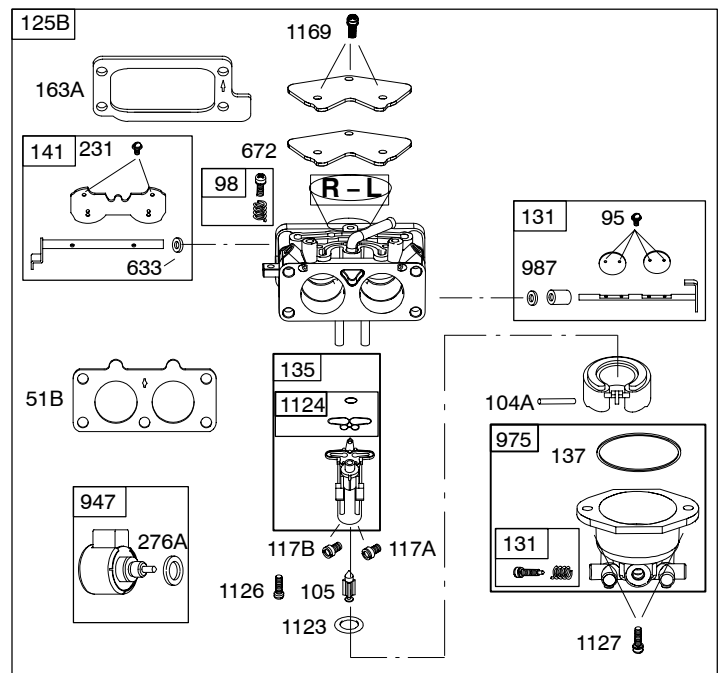
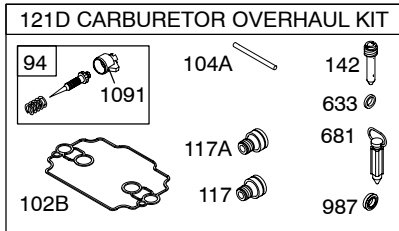
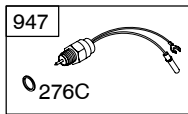
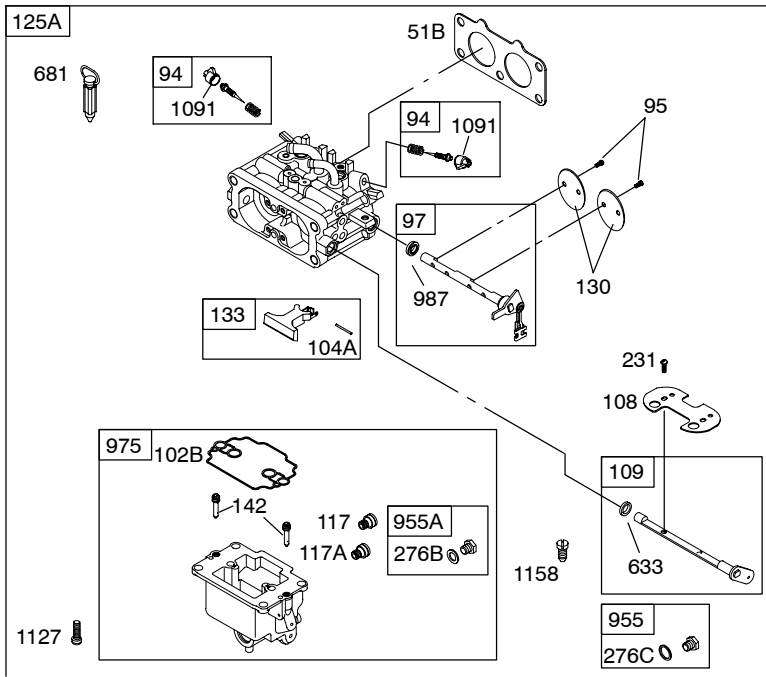


Illustrations cover a range of engines. Parts shown without corresponding text may not be used on your specific engine.
3280-4 Assemblies include all parts shown in frames. **07/20/2006**

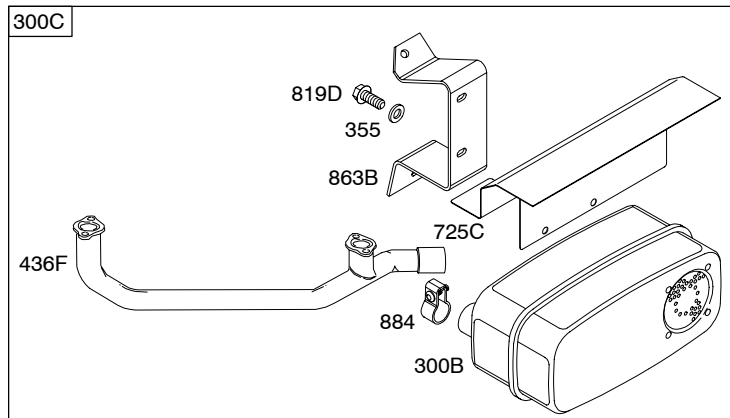
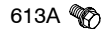
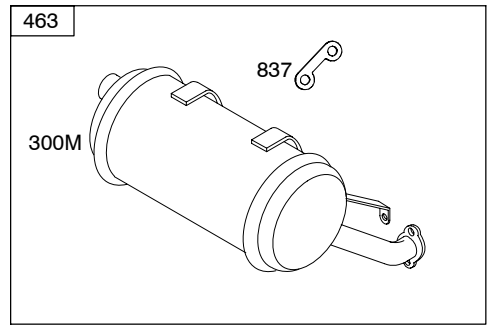
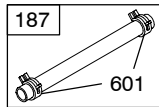
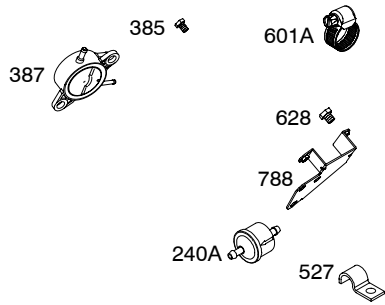


Illustrations cover a range of engines. Parts shown without corresponding text may not be used on your specific engine.
 3280-5 Assemblies include all parts shown in frames. 07/20/2006

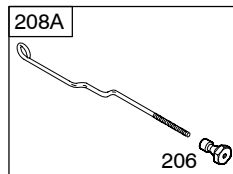
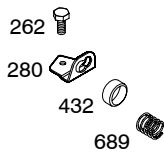
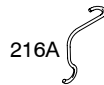
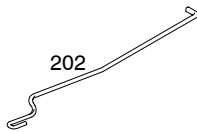
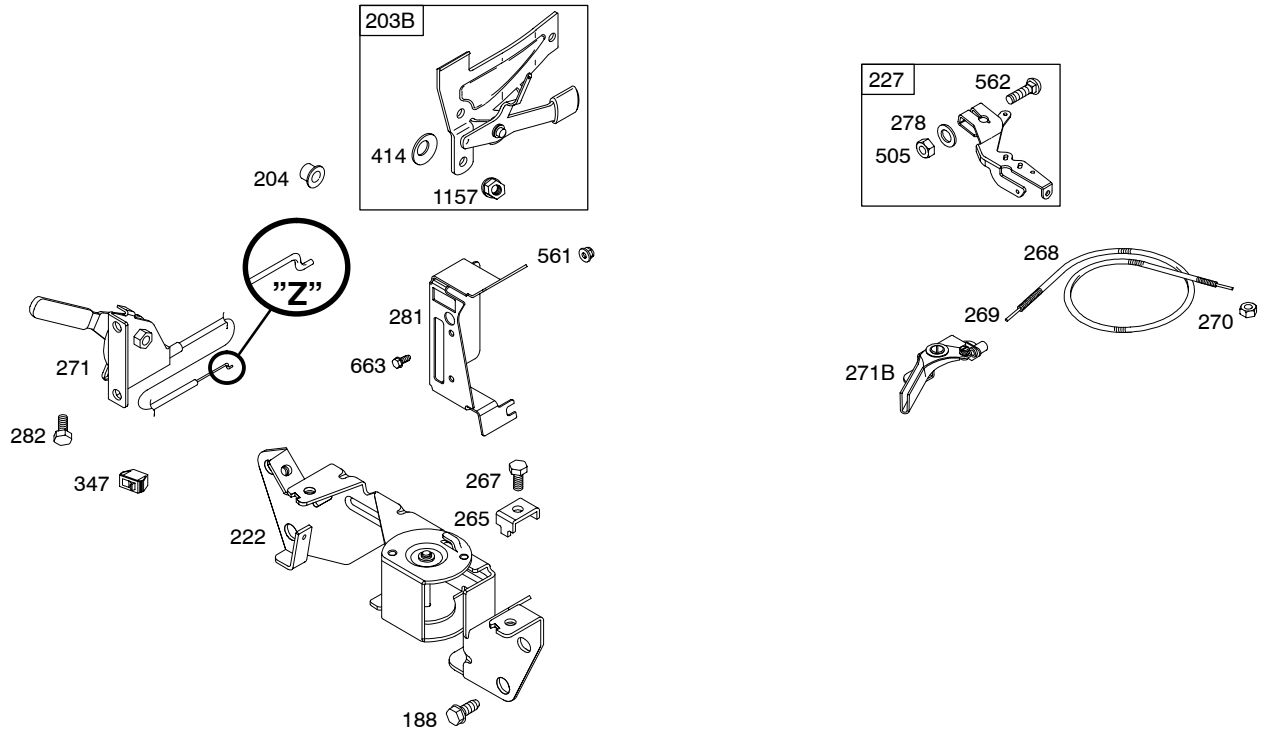
118 
 118A 



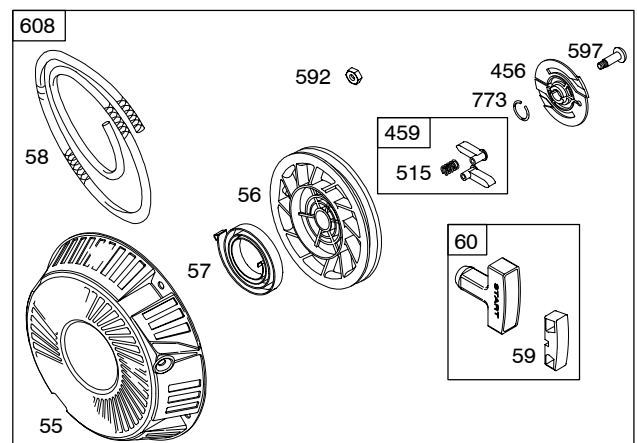
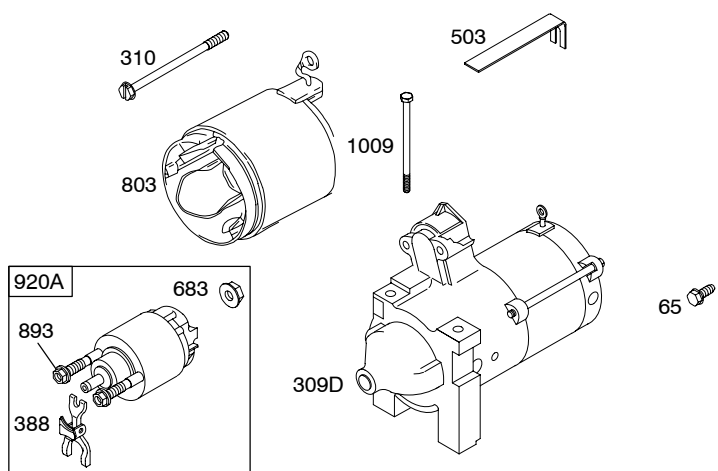
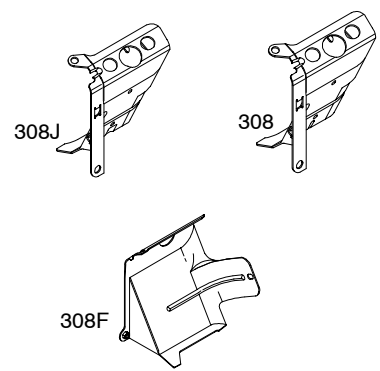
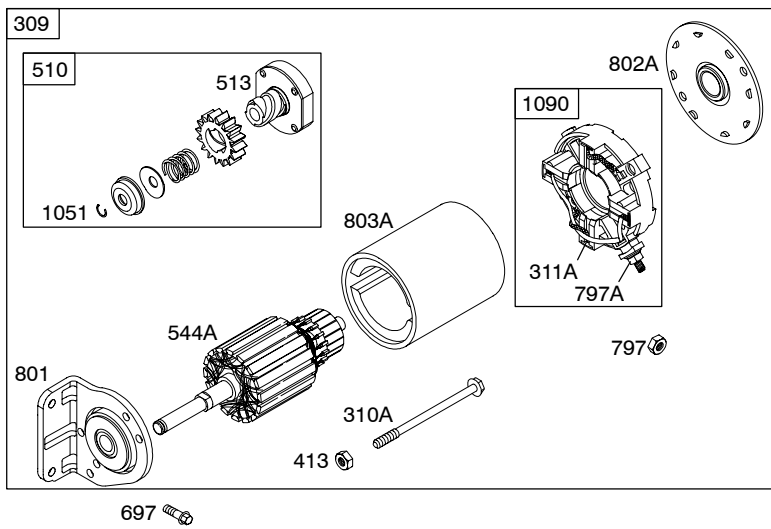
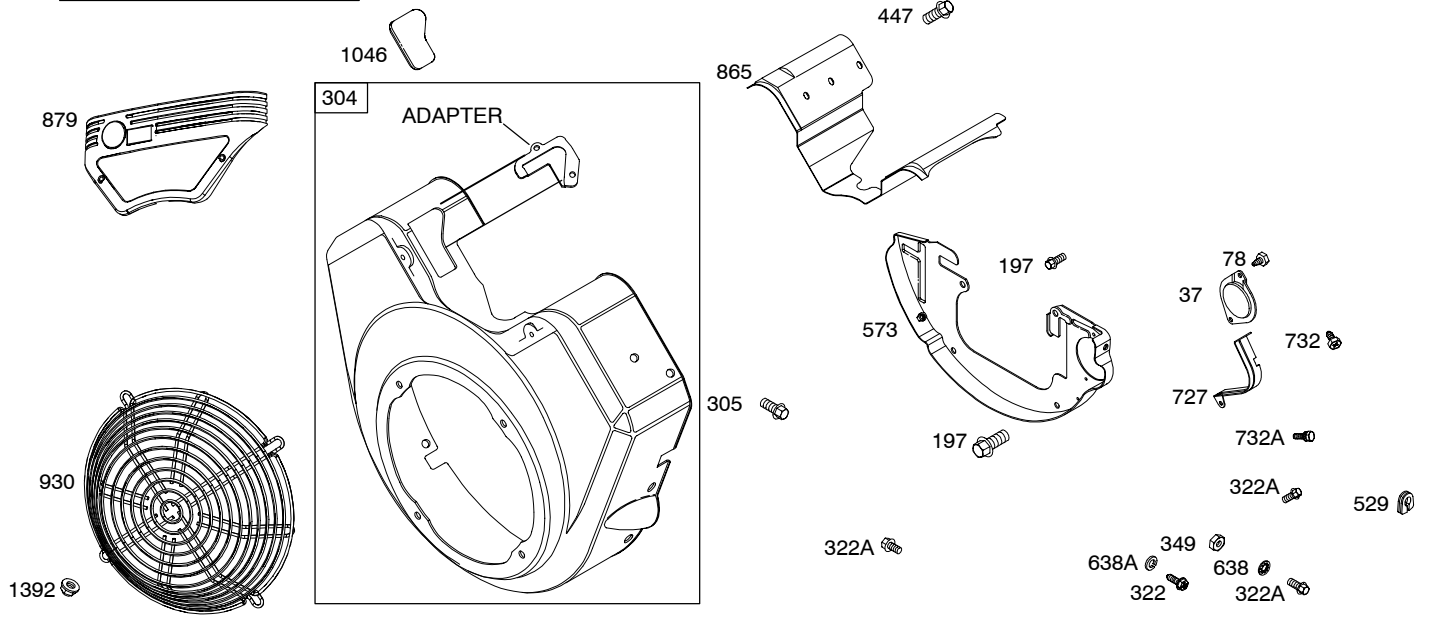
Illustrations cover a range of engines. Parts shown without corresponding text may not be used on your specific engine.



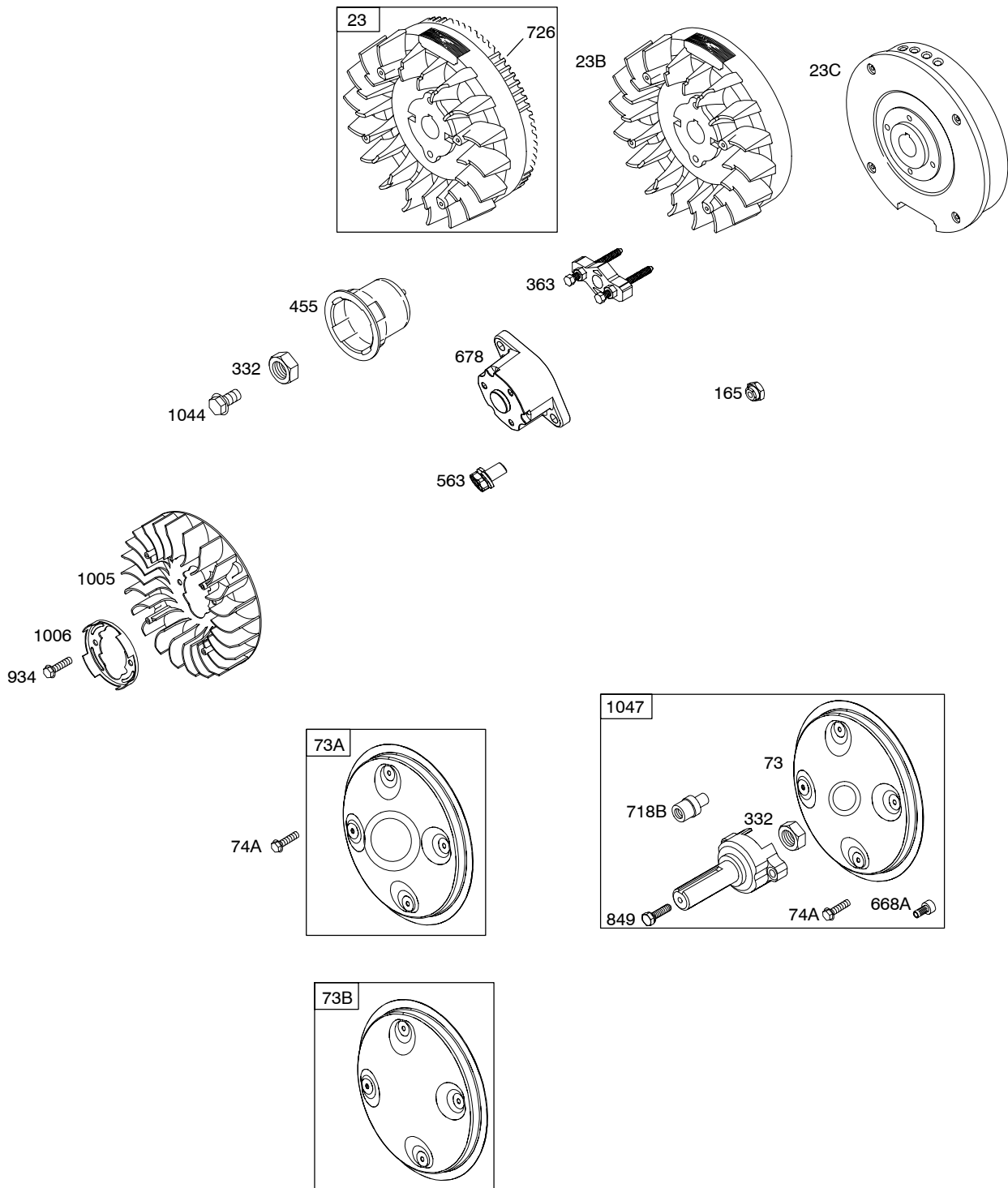
Illustrations cover a range of engines. Parts shown without corresponding text may not be used on your specific engine.
3280-7 Assemblies include all parts shown in frames. 07/20/2006



1036 EMISSIONS LABEL



Illustrations cover a range of engines. Parts shown without corresponding text may not be used on your specific engine.
 3280-9 Assemblies include all parts shown in frames. 07/20/2006

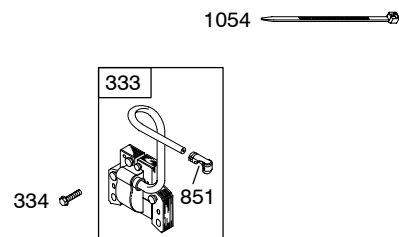
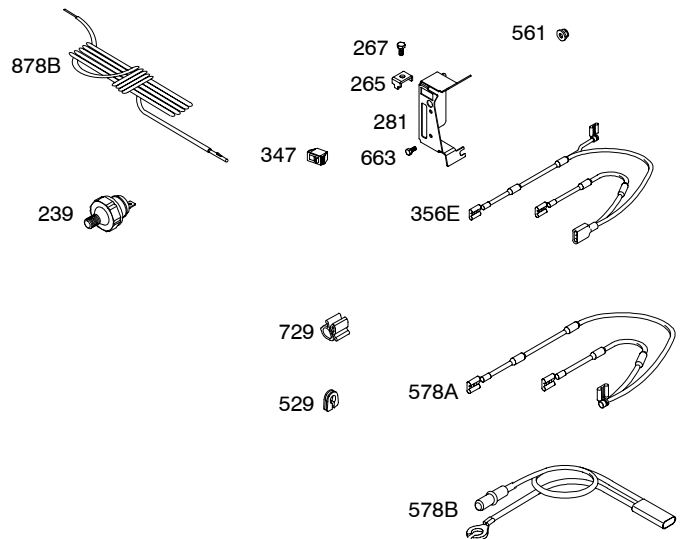
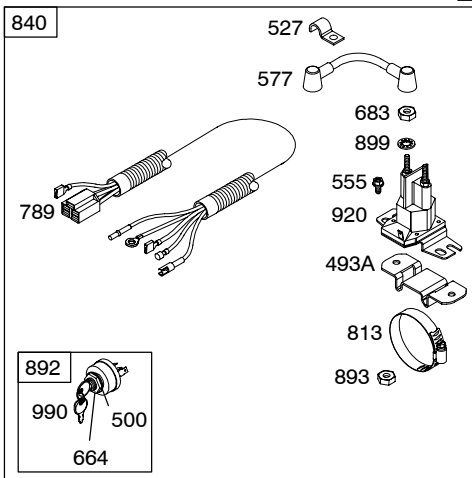


Illustrations cover a range of engines. Parts shown without corresponding text may not be used on your specific engine.
3280-10 Assemblies include all parts shown in frames. **07/20/2006**

DUAL CIRCUIT		TRI CIRCUIT		10 - 16 AMP		20 AMP		20 AMP POWER LINK	
474B	1059	474C	1059	474D	1059	474E	1059	474F	

NOTE: All stators use a No. 1119 mounting screw.

NOTE: The proper flywheel part number and/or the alternator magnet size will determine the alternator type or output. See repair instruction manual for additional information.



386400

REF. NO.	PART NO.	DESCRIPTION	REF. NO.	PART NO.	DESCRIPTION	REF. NO.	PART NO.	DESCRIPTION
1	842602	Cylinder Assembly (Used After Code Date 05073100). ----- Note ----- 808650 Cylinder Assembly (Used Before Code Date 05080100). 842619 Cylinder Assembly Used on Type No(s). 0125, 0171, 0175. 842603 Cylinder Assembly Used on Type No(s). 0124, 0147. 842464 Cylinder Assembly (Used Before Code Date 05080100). Used on Type No(s). 0144, 0129.	13	842618	Screw (Cylinder Head) (Used After Code Date 05073100). ----- Note ----- 692059 Screw (Cylinder Head) (Used Before Code Date 05080100).	25	808527	Piston Assembly (Standard) ----- Note ----- 808652 Piston Assembly (.020" Oversize)
2	808534	Kit-Bushing/Seal (Magneto Side)	15	690946	Plug-Oil Drain	26	808528	Ring Set (Standard) ----- Note ----- 808661 Ring Set (.020" Oversize)
3	★805101s	Seal-Oil (Magneto Side)	16	809844	Crankshaft ----- Note ----- 809834 Crankshaft Used on Type No(s). 0048, 0100, 0116, 0119, 0120, 0121, 0122, 0124, 0133, 0134, 0135, 0142, 0172. 809813 Crankshaft Used on Type No(s). 0112, 0131, 0141. 809826 Crankshaft Used on Type No(s). 0144. 809800 Crankshaft Used on Type No(s). 0077, 0140. 843115 Crankshaft Used on Type No(s). 0176.	27	806378	Lock-Piston Pin
5	842656	Head-Cylinder (Cylinder 1) ----- Note ----- 842661 Head-Cylinder (Cylinder 1) Used on Type No(s). 0129.	17	690752	Bearing-Ball	28	808526	Pin-Piston
5A	842657	Head-Cylinder (Cylinder 2) ----- Note ----- 842660 Head-Cylinder (Cylinder 2) Used on Type No(s). 0129.	18	808849	Cover-Crankcase	29	808646	Rod-Connecting
7	★△842622	Gasket-Cylinder Head	20	★805049s	Seal-Oil (PTO Side)	32	690698	Screw (Connecting Rod)
11D	806379	Tube-Breather	22	807362	Screw (Crankcase Cover/Sump)	33	806419	Valve-Exhaust ----- Note ----- 809069 Valve-Exhaust Used on Type No(s). 0129.
12	★842589	Gasket-Crankcase	23	809236	Flywheel ----- Note ----- 842442 Flywheel Used on Type No(s). 0124, 0129, 0144, 0147.	34	806420	Valve-Intake
			23B	841957	Flywheel Used on Type No(s). 40115.	35	692084	Spring-Valve (Intake)
			23C	841050	Flywheel Used on Type No(s). 0173. ----- Note ----- 841728 Flywheel Used on Type No(s). 0116, 0141.	36	692084	Spring-Valve (Exhaust)
						37	690715	Guard-Flywheel (Black)
						39	690745	Deflector-Oil
						40	692058	Retainer-Valve
						42	807683	Keeper-Valve
						45	690977	Tappet-Valve
						46	690927	Camshaft
						50B	806376	Manifold-Intake ----- Note ----- 808810 Manifold-Intake Used on Type No(s). 0129.
						51B	★690950	Gasket-Intake (Manifold To Carburetor)

★ Included in Engine Gasket Set-Ref. No.358C.

● Included in Carburetor Overhaul Kit-Ref. No. 121D.

△ Included in Valve Gasket Set-Ref. No 1095.

Illustrations cover a range of engines. Parts shown without corresponding text may not be used on your specific engine.

REF. NO.	PART NO.	DESCRIPTION	REF. NO.	PART NO.	DESCRIPTION	REF. NO.	PART NO.	DESCRIPTION
51C	★△806418	Gasket-Intake (Manifold to Head)	104A	●690882	Pin-Float Hinge	131	843101	Kit-Throttle Shaft
53	690746	Stud (Carburetor)	105	698537	Valve-Float Needle	133	808180	Float-Carburetor
54	806444	Screw (Intake Manifold)	108	690883	Valve-Choke	135	842677	Tube-Fuel Transfer
55	691568	Housing-Rewind Starter	109	808277	Shaft-Choke	137	841651	Gasket-Float Bowl
56	692085	Pulley-Starter	117	●806438	Jet-Main (Standard) (Left or Cylinder 1)	141	843100	Kit-Choke Shaft
57	692086	Spring-Rewind Starter			----- Note -----	142	●806375	Nozzle-Carburetor (Standard)
58	66574	Rope-Starter (Cut To Required Length)			809685 Jet-Main (Standard) Used on Type No(s). 0132, 0134.	146	691639	Key-Timing
59	805957	Insert-Grip	117A	●806439	Jet-Main (Standard) (Right Or Cylinder 2)	161A	808655	Base-Air Cleaner (Metal)
60	808167	Grip-Starter Rope			----- Note -----	161B	843109	Base-Air Cleaner (Metal)
65	690341	Screw (Rewind Starter)			843099 Jet-Main (Standard) (Right Or Cylinder 2) Used on Type No(s). 0175.	163A	★692087	Gasket-Air Cleaner
		----- Note -----				163B	841823	Gasket-Air Cleaner
		691982 Screw (Rewind Starter) Used on Type No(s). 0100, 0119, 0122.	117B	806439	Jet-Main	165	693148	Nut (Ring Gear)
73	841582	Screen-Rotating Used on Type No(s). 0129, 0136.	118	693500	Jet-Main (Standard) (Left or Cylinder 1) Used on Type No(s). 0175.	186	693184	Connector-Hose
73A	841662	Screen-Rotating				187	791766	Line-Fuel (Used After Code Date 05063000). ----- Note -----
73B	841440	Screen-Rotating Used on Type No(s). 0079, 0100, 0116, 0119, 0122, 0124, 0133, 0134, 0139, 0147.	117B	806439	Jet-Main			691050 Line-Fuel (Used Before Code Date 05070100). 791745 Line-Fuel (Used After Code Date 05063000). Used on Type No(s). 0129, 0139.
74A	841441	Screw (Rotating Screen)	118A	841670	Jet-Main (Standard) (Left Or Cylinder 1)			296004 Line-Fuel (Used Before Code Date 05070100). Used on Type No(s). 0129, 0139.
78	690688	Screw (Flywheel Guard)	121D	842875	Kit-Carburetor Overhaul			
94	●808257	Kit-Idle Mixture	121B	843103	Kit-Carburetor Overhaul Used on Type No(s). 0175.	188	692056	Screw (Control Bracket)
95	690718	Screw (Throttle Valve)	122B	690870	Spacer-Carburetor	192	807623	Adjuster-Rocker Arm
97	808182	Shaft-Throttle	125A	808626	Carburetor	197	841233	Screw (Back Plate)
98	808177	Kit-Idle Speed			----- Note -----	202	691536	Link-Mechanical Governor
102B	●693711	Gasket-Carburetor Body			809449 Carburetor Used on Type No(s). 0132, 0134.	203B	808753	Crank-Bell
			125B	843104	Carburetor Used on Type No(s). 0175.	204	692884	Bushing-Lever
			130	690884	Valve-Throttle	206	691244	Nut-Governor Adjusting
						208A	691549	Rod-Governor Control

★ Included in Engine Gasket Set-Ref. No.358C.

● Included in Carburetor Overhaul Kit-Ref. No. 121D.

△ Included in Valve Gasket Set-Ref. No 1095.

Illustrations cover a range of engines. Parts shown without corresponding text may not be used on your specific engine.

386400

REF. NO.	PART NO.	DESCRIPTION	REF. NO.	PART NO.	DESCRIPTION	REF. NO.	PART NO.	DESCRIPTION
209	692070	Spring-Governor ----- Note ----- 691507 Spring-Governor Used on Type No(s). 0122, 0127, 0144, 0149. 690716 Spring-Governor Used on Type No(s). 0121, 0176. 692071 Spring-Governor Used on Type No(s). 0173. 691508 Spring-Governor Used on Type No(s). 0136. 691546 Spring-Governor Used on Type No(s). 0131. 692072 Spring-Governor Used on Type No(s). 0133.	232A	691538	Spring-Governor Link	300C	807752	Muffler Used on Type No(s). 0122, 0149.
			239	690233	Switch-Oil Pressure			
			240A	691035	Filter-Fuel	300M	808896	Muffler Used on Type No(s). 0132, 0136. ----- Note ----- 808705 Muffler Used on Type No(s). 0134, 0142.
			262	692083	Screw (Rod Bracket) Clamp-Casing			
			265	691024	Clamp-Casing			
			267	692083	Screw (Casing Clamp)			
			268	691025	Casing-Control Wire (Cut To Required Length)	304	841489	Housing-Blower
			269	691026	Wire-Control (Cut To Required Length)	305	692056	Screw (Blower Housing) (14mm)
			270	691027	Nut (Control Wire Casing)	308	841317	Cover-Cylinder Head (Cylinder 1)(Black) Used on Type No(s). 0113, 0122, 0149. ----- Note ----- 841316 Cover-Cylinder Head (Cylinder 2) Used on Type No(s). 0113, 0122, 0149.
			271	692541	Lever-Control			
			271B	691028	Lever-Control	308F	841183	Cover-Cylinder Head (Cylinder 1)
			273	*690681	Seal-O Ring (Oil Pump)	308J	841182	Cover-Cylinder Head (Cylinder 2)
			276	*690704	Washer-Sealing (Governor Crank)	309	691564	Motor-Starter
			276A	*Δ807085	Washer-Sealing (Rocker Cover)	309D	808817	Motor-Starter Used on Type No(s). 0125, 0129, 0171, 0175.
			276B	690724	Washer-Sealing			
			276C	693497	Washer-Sealing (Solenoid) ----- Note ----- 841548 Washer-Sealing Used on Type No(s). 0175.	310	820807	Screw (Starter Motor) Used on Type No(s). 0125, 0129.
209A	690709	Spring-Governor Used on Type No(s). 0112, 0116.				310A	690323	Screw (Starter Motor) (4 7/16" Long)
211	692069	Spring-Governed Idle						
211A	691504	Spring-Governed Idle Used on Type No(s). 0112, 0116, 0141. ----- Note ----- 690707 Spring-Governed Idle Used on Type No(s). 0131.	278	842122	Washer (Governor Control Lever)	322	841233	Screw (Cylinder Head Cover)
			280	691526	Bracket-Rod	322A	692067	Screw (Cylinder Head Cover)
			281	690742	Panel-Control			
			282	692083	Screw (Control Lever)	332	690887	Nut (Flywheel)
			287	692062	Screw (Dipstick Tube)	333	492341	Armature-Magneto
216A	691542	Link-Choke	290	691537	Screw (Intake Elbow) (70mm Long)	334	692066	Screw (Magneto Armature)
222	808454	Bracket-Control						
227	690236	Lever-Governor Control	290A	691492	Screw (Intake Elbow) (30mm Long)			
231	690718	Screw (Choke Valve)	300B	498984s	Muffler			

★ Included in Engine Gasket Set-Ref. No.358C.

● Included in Carburetor Overhaul Kit-Ref. No. 121D.

Δ Included in Valve Gasket Set-Ref. No 1095.

Illustrations cover a range of engines. Parts shown without corresponding text may not be used on your specific engine.

REF. NO.	PART NO.	DESCRIPTION	REF. NO.	PART NO.	DESCRIPTION	REF. NO.	PART NO.	DESCRIPTION
337	491055s	Plug-Spark ----- Note ----- 792015 Plug-Spark Used on Type No(s). 0065, 0077, 0079, 0112, 0113, 0114, 0115, 0116, 0119, 0120, 0122, 0125, 0129, 0132, 0133, 0135, 0136, 0141, 0147.	414	690344	Washer (Bell Crank)	479	807084	Screw (Oil Pump Screen)
338	691312	Gasket-Dipstick	415	690283	Plug (Oil Pressure Switch)	493A	691177	Bracket-Mounting (Solenoid)
347	691995	Switch-Rocker	417	810074	Screw (Oil Cooler)	500	691086	Washer (Key Switch)
349	690238	Nut (Cylinder Head Cover)	431	808659	Elbow-Intake	501	691185	Regulator (10-16 Amp Regulated)
355	842122	Washer (Muffler Bracket)	431A	691534	Elbow-Intake	----- Note -----		
356E	691999	Wire-Stop	432	691509	Cap-Spring	493219	Regulator Used on Type No(s). 0113, 0114, 0175.	
357	691483	Key-Drive Pulley Used on Type No(s). 0119, 0122, 0133, 0134, 0136.	436F	805609	Manifold-Exhaust	501A	691188	Regulator Used on Type No(s). 0141.
358C	842658	Gasket Set-Engine	437	691902	Screw (Exhaust Manifold)	501B	691573	Regulator (20 Amp)
359	691077	Washer (Ground Terminal)	439	*692154	Seal-O Ring (Crankcase Cover/Sump)	----- Note -----		
363	19203	Puller-Flywheel	445	692519	Filter-Air Cleaner Cartridge	841170	Regulator (20 Amp) Used on Type No(s). 0124, 0129, 0144, 0147.	
365A	690866	Screw (Carburetor)	445B	820263	Filter-Air Cleaner Cartridge	503	691532	Strap-Starter
373	691612	Nut (Ground Terminal)	447	841233	Screw (Air Guide Cover)	505	690238	Nut (Governor Control Lever)
377	808095	Key-Woodruff	448	841488	Bracket-Oil Cooler	507	691972	Insulator
383	19374s	Wrench-Spark Plug ----- Note ----- 19576s Wrench-Spark Plug Used on Type No(s). 0136.	455	841794	Cup-Flywheel	510	496881	Drive-Starter
385	807084	Screw (Fuel Pump)	456	691529	Plate-Pawl Friction	513	692024	Clutch-Drive
387	808656	Pump-Fuel	459	808166	Pawl-Ratchet	515	691528	Spring-Pawl
388	820799	Lever-Pinion Drive	463	808911	Manifold/Muffler Assembly Used on Type No(s). 0121.	520	691084	Terminal-Ground
400	808657	Cooler-Oil	466	806466	Seal-O Ring (Breather Assembly)	522	491832	Plug-Dipstick/Fill
413	693587	Nut (Starter Motor)	467	691985	Knob-Air Cleaner	523A	693175	Dipstick
			468	*690690	Seal-O Ring (Oil Pump Screen)	524	693172	Seal-Dipstick Tube
			474B	696459	Alternator (Dual Circuit)	525	693174	Tube-Dipstick
			474C	696457	Alternator (Tri-Circuit)	526	692067	Screw (Regulator)(10-16 Amp Regulated)
			474D	696458	Alternator (10-16 Amp Regulated)	526A	690717	Screw (Regulator)
			474E	696579	Alternator (20 Amp)	526B	691547	Screw (Regulator)(20 Amp)
			474F	841178	Alternator (20 Amp)			

★ Included in Engine Gasket Set-Ref. No.358C.

● Included in Carburetor Overhaul Kit-Ref. No. 121D.

△ Included in Valve Gasket Set-Ref. No 1095.

Illustrations cover a range of engines. Parts shown without corresponding text may not be used on your specific engine.

386400

REF. NO.	PART NO.	DESCRIPTION	REF. NO.	PART NO.	DESCRIPTION	REF. NO.	PART NO.	DESCRIPTION
527	690423	Clamp-Tube	597	690876	Screw (Pawl Friction Plate)	711A	841233	Screw (Carburetor Shield)
529	690744	Grommet	598	807625	Shim-End Play (Crankshaft or Camshaft Bearing)	718	806469	Pin-Locating
536	825118	Cleaner-Air	601	791850	Clamp-Hose	718B	841581	Pin-Locating
544A		Armature-Starter (For Replacement Armature, Order Reference 309)	601A	691145	Clamp-Hose	725C	806102	Shield-Heat Gear-Ring (Steel)(See Reference 23 for Service)
552	690701	Bushing-Governor Crank (Output End)	608	841729	Starter-Rewind	726		
552A	806686	Bushing-Governor Crank (Flanged)	613	691902	Screw (Muffler)	727	841313	Cover-Starter Drive
555	692067	Screw (Starter Solenoid)	613A	690297	Screw (Muffler)	729	690586	Clip-Wire
561	690713	Nut (Control Lever)	615	691550	Retainer-Governor Shaft	732	690688	Screw (Starter Drive Cover) ----- Note -----
562	690239	Bolt (Governor Control Lever)	616	806685	Crank-Governor			807163 Screw (Starter Drive Cover) Used on Type No(s). 0115.
563	841735	Screw (Debris Screen Guard)	628	806660	Screw (Fuel Pump Bracket)	732A	841233	Screw (Starter Drive Cover)
565	690682	Stud (Oil Filter Adapter)	633	●690722	Seal-Choke/Throttle Shaft	737	690679	Screw (Oil Filter Adapter)
573	841310	Plate-Back ----- Note ----- 841311 Plate-Back Used on Type No(s). 0129. 841127 Plate-Back Used on Type No(s). 0125, 0171, 0175. 841314 Plate-Back Used on Type No(s). 0124, 0144, 0147.	635	692076	Boot-Spark Plug	741	691530	Gear-Timing
577	690795	Cable-Starter	638	691551	Washer (Cylinder Head Cover)	773	690875	Retainer
578	692306	Wire Assembly	638A	690706	Washer (Cylinder Head Cover)	788	691559	Bracket-Fuel Pump
578A	692319	Wire Assembly	643	692079	Retainer-Air Filter	789	691996	Harness-Wiring ----- Note -----
578B	843108	Wire Assembly	650	841233	Screw (Oil Deflector)			691578 Harness- Wiring Used on Type No(s). 0173. 841318 Harness- Wiring Used on Type No(s). 0171.
582	843114	Clamp-Air Cleaner	654	690939	Nut (Carburetor)	797	691029	Nut (Brush Retainer)
592	690939	Nut (Rewind Starter)	663	692083	Screw (Control Panel)	797A	693167	Nut (Brush Retainer)
596	691492	Screw (Oil Pump)	664	691087	Nut (Key Switch)	801	808778	Cap-Drive
			668A	691500	Spacer	802A	691286	Cap-End
			672	843102	Gasket-Carburetor Plate	803	820783	Housing-Starter Used on Type No(s). 0125, 0129.
			678	841730	Spacer-Rewind			
			681	●808798	Kit-Needle/Seat			
			683	691029	Nut (Starter Solenoid)			
			689	691272	Spring-Friction			
			689B	843113	Spring-Friction			
			691	690680	Seal-Governor Shaft			
			697	692062	Screw (Drive Cap)			

★ Included in Engine Gasket Set-Ref. No.358C.

● Included in Carburetor Overhaul Kit-Ref. No. 121D.

△ Included in Valve Gasket Set-Ref. No 1095.

Illustrations cover a range of engines. Parts shown without corresponding text may not be used on your specific engine.

REF. NO.	PART NO.	DESCRIPTION	REF. NO.	PART NO.	DESCRIPTION	REF. NO.	PART NO.	DESCRIPTION
803A	693547	Housing--Starter	879	841607	Cover--Carburetor	967A	692520	Filter--Pre Cleaner
813	690635	Clamp			----- Note -----	968A	808654	Cover--Air Cleaner
813A	807377	Clamp			842128 Cover--	968B	841822	Cover--Air Cleaner
816	690706	Washer (Oil Filter Adapter)			Carburetor	968C	842620	Cover--Air Cleaner
819D	692062	Screw (Muffler Bracket)			Used on Type No(s). 0065, 0077, 0079, 0121, 0125, 0131, 0135, 0138, 0142, 0172, 0173.	971	691593	Screw (Air Cleaner Base to Carburetor)
830	809157	Stud--Rocker Arm				971B	691492	Screw (Air Cleaner Base to Carburetor)
833A	807084	Screw (Air Cleaner Mounting Strap/Stud)	883A	★ 806425	Gasket--Exhaust			
837	808085	Spacer--Muffler	884	690853	Clamp--Muffler			
840	842828	Kit--Panel (Used After Code Date 06011800)			----- Note -----	974	690941	Nut (Air Cleaner Clamp)
		----- Note -----			691956 Clamp--Muffler	975	841160	Bowl--Float
		692096 Kit--Panel (Used Before Code Date 06011900)			Used on Type No(s). 0133.	987	● 691000	Seal--Throttle Shaft
849	691088	Screw (Stub Shaft)	892	692318	Switch--Key	988	★ 692063	Gasket--Oil Adapter
851	493880s	Terminal--Spark Plug	893	820805	Nut (Starter Solenoid)	990	691959	Key Set
862B	691539	Strap/Stud--Air Cleaner Mounting	899	691077	Washer (Starter Solenoid)	996	843110	Shield--Carburetor
863B	805610	Bracket--Muffler	914	806421	Screw (Rocker Cover)	996B	690917	Shield--Carburetor
865	841319	Cover--Air Guide (Aluminum)	918	393815	Hose--Vacuum (Cut To Required Length)	1004A	806422	Duct--Air
868	★ 691963	Seal--Valve	920	691656	Solenoid--Starter	1005	841439	Fan--Flywheel
871	692057	Bushing--Valve Guide	920A	825418	Solenoid--Starter Used on Type No(s). 0125, 0129, 0175.	1006	690452	Retainer--Fan
877	393456	Wire/Connector-- Alternator	930	841490	Guard--Rewind	1009	806474	Screw (Starter Motor)
877A	393537	Wire/Connector-- Alternator	934	691058	Screw (Fan Retainer)	1017	690900	Screen--Oil Pump
877C	399916	Wire/Connector-- Alternator	947	808624	Solenoid--Fuel	1019	841626	Kit--Label
877D	698092	Wire/Connector-- Alternator			----- Note -----	1022	★ 806039s	Gasket--Rocker Cover
878	398661	Harness--Alternator			841546 Solenoid-- Fuel	1023	690758	Cover--Rocker
878A	691955	Harness--Alternator	955	808176	Plug--Carburetor (Solenoid)	1023A	808648	Cover--Rocker (Includes Breather Assembly)
878B	691362	Harness--Alternator	955A	807723	Plug--Carburetor (Jet)	1023C	690910	Cover--Rocker
					Used on Type No(s). 0175.	1024	693185	Pump--Oil
						1025	690689	Spool--Governor
						1026	691836	Rod--Push (Intake)(Steel)
								----- Note -----
								691758 Rod--Push (Exhaust)(Aluminum)
						1027	492932S	Filter--Oil
						1028B	808537	Adapter--Oil Filter

★ Included in Engine Gasket Set--Ref. No.358C.

● Included in Carburetor Overhaul Kit--Ref. No. 121D.

△ Included in Valve Gasket Set--Ref. No 1095.

Illustrations cover a range of engines. Parts shown without corresponding text may not be used on your specific engine.

386400

REF. NO.	PART NO.	DESCRIPTION	REF. NO.	PART NO.	DESCRIPTION	REF. NO.	PART NO.	DESCRIPTION
1029	807323	Arm-Rocker	1091	●691516	Cap-Limiter	1155	806647	Washer (Oil Cooler)
1036		Label-Emissions (Available from an Authorized Briggs & Stratton Service Dealer)	1095	842659	Gasket Set-Valve	1157	806447	Nut (Bell Crank)
1044	692056	Screw (Flywheel)	1119	691552	Screw (Alternator)	1158	807468	Screw (Carburetor Plug)
1046	841165	Plug-Blower Housing	1123	841653	Seal-O Ring (Solenoid Retainer)	1169	841621	Screw (Carburetor Cover Plate)
1047	841580	Shaft-Stub	1124	842678	Seal-O Ring (Fuel Transfer Tube)	1254	807084	Screw (Rocker Cover Stud)
1051	691124	Ring-Retaining	1126	841620	Screw (Fuel Transfer Tube)	1315	843111	Hose-Air Cleaner
1054	280275	Tie-Cable	1127	690885	Screw (Float Bowl)	1330	272144	Repair Manual
1058	276343	Operator's Manual	1131	842067	Nut (Crankcase Cover/Sump)	1337	691902	Screw (Air Cleaner Clamp)
1059	698516	Kit-Screw/Washer	1133	690342	Screw (Crankshaft)	1337B	843112	Screw (Air Cleaner Clamp)
1068	841999	Hose/Clamp Assembly (Cut To Required Length)	1135	806497	Washer (Crankcase Cover/Sump)	1346	492031	Valve-Oil Drain Shut Off
1090	691293	Retainer-Brush ----- Note ----- 825412 Retainer- Brush Used on Type No(s). 0125, 0129, 0175.				1392	690939	Nut (Rewind Guard)
						1406	842623	Valve-Debris

★ Included in Engine Gasket Set-Ref. No.358C.

● Included in Carburetor Overhaul Kit-Ref. No. 121D.

△ Included in Valve Gasket Set-Ref. No 1095.

Illustrations cover a range of engines. Parts shown without corresponding text may not be used on your specific engine.